

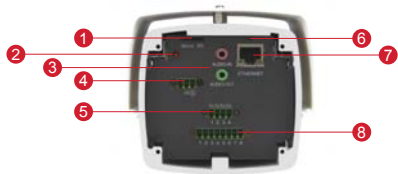
KCM-5211E

18x Zoom H.264 4-Megapixel IP IR D/N PoE Outdoor Box Camera with ExDR



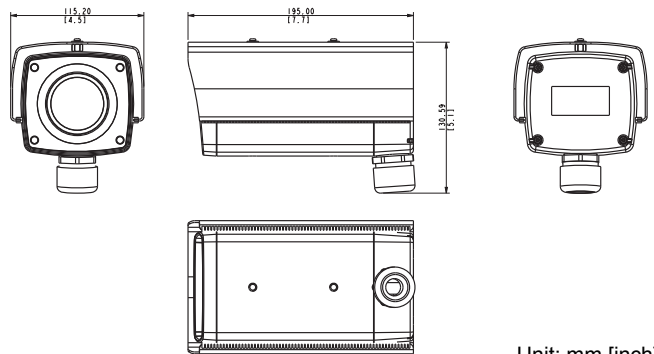
- 1/3.2" Progressive Scan CMOS
- Day and night function with mechanical IR cut filter
- Minimum illumination 0 lux with IR LED on
- 18 x optical zoom
- Built-in f4.7-84.6 mm / F1.6 Megapixel DC iris zoom lens
- 8 fps at 2032 x 1920 resolution (1650 TV lines)
- Selectable H.264, MPEG-4 SP, MJPEG compressions with dual streaming
- Up to 4 cropped regions as independent channels
- Serial port for external pan & tilt scanner
- Two-way audio
- Weatherproof IP66 rated casing
- SDR (Superior Dynamic Range)
- 2D+3D Digital noise reduction
- Video Motion Detection
- Powered by PoE Class 3 / DC 12V

PHOTO INDICATION



- | | |
|----------------------------------|--------------------------|
| 1 MicroSD / Micro SDHC Card Slot | 5 Serial Port Input |
| 2 Power LED | 6 Reset Button |
| 3 Audio Input / Output | 7 Ethernet Port |
| 4 DC 12V Power Input | 8 Digital Input / Output |

DIMENSION DIAGRAM



Unit: mm [inch]

ACCESSORY OPTIONS

Camera Bracket

PMAX-1101



Aluminum, max. load 10 kg (22.05 lb), tilt angle 90°, swivel angle 360°

Power Adapter

PPBX-0002



Universal Power Adapter, 100~240V, 4 different connectors included

Pan & Tilt Scanner

Third party Pan & Tilt Scanners available at: www.acti.com/pantilt/

Popular Mounting Solutions

| | | |
|--------|------------------------|--|
| Corner | PMAX-1101 PMAX-0402 | |
| Pole | PMAX-1101 PMAX-0502 | |

* For more mounting solutions, please refer to Mounting Accessory section of Buyer's Guide or Project Planner on www.acti.com

PRODUCT SPECIFICATION

KCM-5211E

• Device

| | |
|--------------------------|--|
| Device Type | Box Camera |
| Image Sensor | Progressive Scan CMOS |
| Sensor Size | 1/3.2" (4.5 x 3.4 mm) |
| Horizontal Resolution | 1650 TVL |
| Day / Night | Yes |
| Minimum Illumination | Color: 0.1 lux at F1.6 (30 IRE, 2400°K); B/W: 0 lux (IR LED on) |
| Color to B/W switch | ISP based switch, configurable |
| Mechanical IR Cut Filter | Yes |
| IR Sensitivity Range | 700 - 1100 nm |
| IR LED | IR LED x 24 (850 nm) |
| Electronic Shutter | 1/25 - 1/2000 sec (50Hz); 1/15 - 1/2000 sec (60Hz) (manual mode) 1 - 1/2000 sec (auto mode) |

• Lens

| | |
|--------------------------|------------------------------------|
| Focal Length | Zoom, f4.7 - 84.6 mm / F1.6 - F2.8 |
| Zoom Ratio | 18x optical |
| Zoom Speed | 2.63 sec (1x to 18x) |
| Iris | DC Iris |
| Focus | Auto Focus |
| Horizontal Viewing Angle | 48.94° - 3.61° |

• Video

| | |
|--|---|
| Compression | H.264, MPEG-4 SP, MJPEG |
| Maximum Frame Rate vs. Resolution (H.264, MJPEG) | 8 fps at 2032 X 1920; 15 fps at 1920 X 1080 (HD 1080p); 30 fps at 1280 x 720 (HD 720p); 30 fps at 640 x 480 (VGA) |
| Maximum Frame Rate vs. Resolution (MPEG-4 SP) | 5 fps at 2032 X 1920; 10 fps at 1920 X 1080 (HD 1080p); 24 fps at 1280 x 720 (HD 720p); 30 fps at 640 x 480 (VGA) |
| 4 Cropped VGA Mode (All Compressions) | 15 fps at 640 x 480 (VGA) |
| Multi-Streaming | Simultaneous dual streams based on two configurations in single view mode; Multiple streams based on single configuration in 4 cropped VGA mode |
| Bit Rate | 28 Kbps - 6 Mbps (per stream) |
| Bit Rate Mode | Constant, Variable |
| S/N Ratio | More than 63.2 dB |
| Image Enhancement | SDR (Superior Dynamic Range); White balance: automatic, hold and manual; Brightness; Contrast; Automatic gain control; 2D+3D Digital noise reduction; Flickerless; Defogging |
| Privacy Mask | 4 configurable regions |
| Text Overlay | User defined text on video |
| Image Orientation | Image flip and mirror |

• Audio

| | |
|-------------|-----------------------------------|
| Compression | 8 kHz, Mono, PCM, 16 bit encoding |
| Audio-In | 3.5mm Phone Jack |
| Audio-Out | 3.5mm Phone Jack |

• Network

| | |
|--------------------|---|
| Protocol & Service | TCP, UDP, HTTP, HTTPS, DHCP, PPPoE, RTP, RTSP, IPv6, DNS, DDNS, NTP, ICMP, ARP, IGMP, SMTP, FTP, UPnP, SNMP, Bonjour, Pelco-D |
| Ethernet Port | 1, Ethernet (10/100 Base-T), RJ-45 connector |
| Security | IP address filtering; HTTPS encryption; Password protected user levels; IEEE 802.1X network access control* |

• Alarm

| | |
|----------------|--|
| Alarm Trigger | Video motion detection 3 regions in single view mode, 1 region each in 4 cropped VGA mode; External device through digital input |
| Alarm Response | Notify control center; Go to Zoom preset point or preset tour; Change camera settings; Command other devices; E-mail notification with snapshots; Save video or snapshot to local storage; Upload video, snapshot to FTP server; Activate external device through digital output |

• Interface

| | |
|-----------------|---|
| Digital Input | 2, terminal block |
| Digital Output | 2, terminal block |
| Serial Port | RS-485, RS-422, terminal block |
| Local Storage** | MicroSD/SDHC memory card slot (card not included) |

• General

| | |
|----------------------------|--|
| Power Source / Consumption | PoE Class 3 (IEEE802.3af) / 9.12 W (IR on) DC 12V / 11.52 W (IR on) |
| Weight | 1350 g (2.98 lb) |
| Dimensions (W x H x D) | 115.20mm x 130.59mm x 195.00mm (4.50" x 5.10" x 7.70") |
| Environmental Casing | Weatherproof (IP66 rated) |
| Operating Temperature | -30°C ~ 50°C (-22°F ~ 122°F) |
| Operating Humidity | 10% ~ 85% RH |
| Approvals | Camera: CE, FCC, IP66; Adapter: CE, TUV-GS, UL, RCM, CCC |

• Integration

| | |
|-------------------------|--|
| Unified Solution | Fully compatible with ACTI software |
| ISV Integration | Software Development Kit (SDK) available |
| Firmware Access Browser | Microsoft Internet Explorer 6.0 or newer |

* All specifications are subject to change without notice.

** All brand names and registered trademarks are the property of their respective owners.