

DH-HAC-HFW2100D

1.3Megapixel 720P Water-proof IR HDCVI Camera



Features

- 1/3" 1.3Megapixel CMOS
- 25/30/50/60fps@720P
- High speed, long distance real-time transmission
- HD and standard definition switch
- OSD Menu, control over coaxial cable
- Day/Night(ICR), AWB, AGC, BLC, 3D-DNR,
- 8mm fixed lens (3.6 mm, 6mm, 12mm, 16mm optional)
- Max. IR LEDs length 50m, Smart IR
- IP66, DC12V

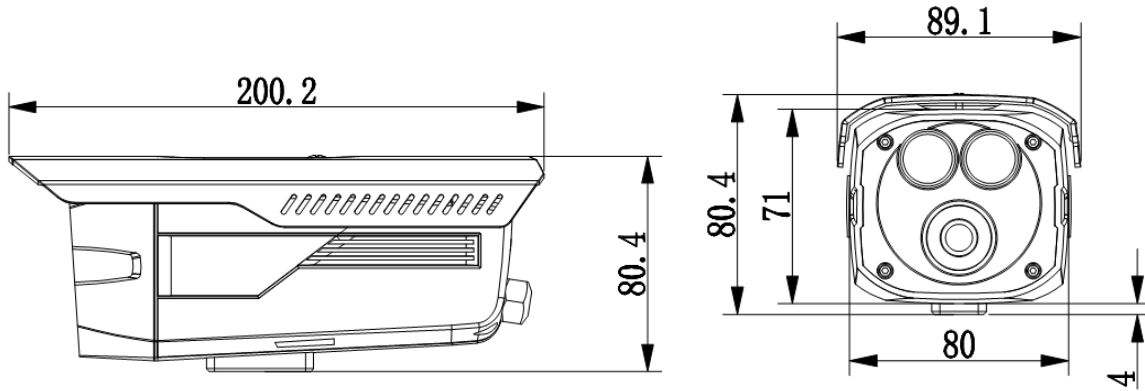
DH-HAC-HFW2100D

Technical Specifications

Model	DH-HAC-HFW2100DP	DH-HAC-HFW2100DN
Camera		
Image Sensor	1/3" 1.3Megapixel CMOS	
Effective Pixels	1280(H)×960(V)	
Electronic Shutter	4/25s~1/45,000s	4/30~1/54,000s
Video Frame Rate	1280×720@25 fps; 1280×720@30 fps; 1280×720@50 fps; 1280×720@60 fps	
Synchronization	Internal	
Min. Illumination	0.01Lux@F1.2(0Lux IR LED on)	
Video Output	1-channel BNC HDCVI high definition video output/ CVBS standard definition video output (Can switch)	
Camera Features		
Max. IR LEDs Length	50m, Smart IR	
Day/Night	Auto(ICR) / Color / B/W	
Noise Reduction	2D/3D	
OSD Menu	Support	
Lens		
Focal length	8mm fixed lens (3.6mm, 6mm,12mm,16mm optional)	
Mount Type	M12	
General		
Power Supply	DC12V±10%	
Power Consumption	Max 7.7W	
Working Environment	-30°C~+60°C/ Less than 95%RH (no condensation)	
Transmission Distance	Over 500m via 75-3 coaxial cable	
Ingress Protection	IP66	
Dimensions(W×D×H)	Φ200.2mm×89.1mm×80.4mm	
Weight	450g	

DH-HAC-HFW2100D

Dimensions (mm)



Dahua Technology Co., Ltd.

1187 BinAn Road, Binjiang District, Hangzhou, China

Tel: +86-571-87688883

Fax: +86-571-87688815

Email: overseas@dahuatech.com

www.dahuatech.com

*Design and specifications are subject to change without notice.

© 2013 Dahua Technology Co., Ltd.