

DH-HAC-HDW1100S

1Megapixel 720P Cost-effective IR HDCVI Mini Dome Camera



Features

- 1/2.9" 1Megapixel CMOS
- 25/30fps@720P
- High speed, long distance real-time transmission
- Day/Night(ICR), AWB, AGC, BLC
- 3.6mm fixed lens (2.8mm, 6mm, 8mm optional)
- Max. IR LEDs length 20m, Smart IR
- DC12V

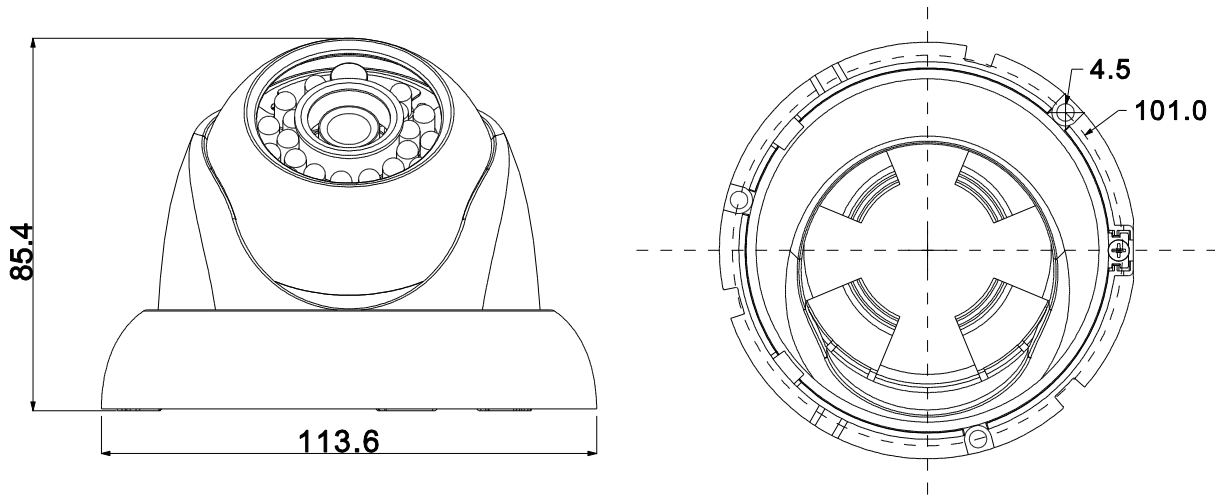
DH-HAC-HDW1100S

Technical Specifications

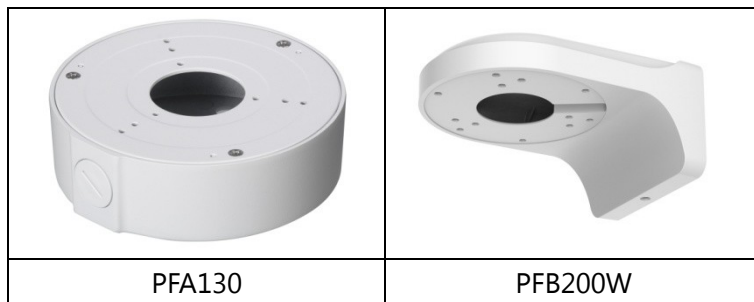
Model	DH-HAC-HDW1100SP	DH-HAC-HDW1100SN
Camera		
Image Sensor	1/2.9" 1Megapixel CMOS	
Effective Pixels	1280(H) x720(V)	
Electronic Shutter	1/50s~1/100,000s	1/60s~1/100,000s
Video Frame Rate	720P@25 fps	720P@30 fps
Synchronization	Internal	
Min. Illumination	0.01Lux@F1.2(AGC ON),0Lux IR on	
Video Output	1-channel BNC HDCVI high definition video output	
Camera Features		
Max. IR LEDs Length	20m, Smart IR	
Day/Night	Auto(ICR) / Color / B/W	
Noise Reduction	2D	
Lens		
Focal Length	3.6mm (2.8mm, 6mm, 8mm optional)	
Mount Type	M12	
General		
Power Supply	DC12V±10%	
Power Consumption	Max 2.5W	
Working Environment	-30°C~+60°C / Less than 95%RH (no condensation)	
Transmission Distance	Over 500m via 75-3 coaxial cable	
Dimensions	Φ113.6mm × 85.4mm	
Weight	200g	

DH-HAC-HDW1100S

Dimensions (mm)



Accessories (optional)



Dahua Technology Co., Ltd.

1187 BinAn Road, Binjiang District, Hangzhou, China

Tel: +86-571-87688883

Fax: +86-571-87688815

Email: overseas@dahuatech.com

www.dahuasecurity.com

*Design and specifications are subject to change without notice.

© 2013 Dahua Technology