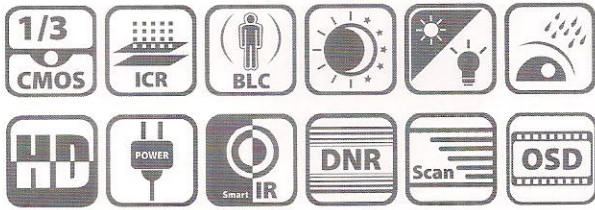


# DS-2CE56C5T-(A)VPIR3

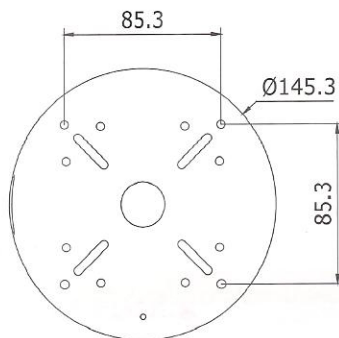
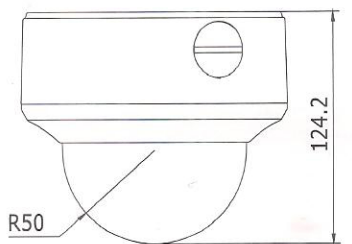
## HD720P Outdoor Vandal Proof Camera



### Key features

- HD720P Video Output
- Adopt HDTVI Technology
- True Day/Night
- 2.8 - 12mm vari-focal lens
- OSD menu, 3D DNR, Smart IR
- Up to 40m IR distance
- IP66 weatherproof & Vandal Proof
- Low illumination
- Up the Coax(via coaxial cable)

### Dimensions



Unit: mm

### Available model

DS-2CE56C5T-AVPIR3

DS-2CE56C5T-VPIR3

DS-2CE56C5T-(A)VPIR3	
<b>Camera</b>	
Image Sensor	1 / 3" Progressive Scan CMOS
Signal System	PAL / NTSC
Effective Pixels	1305(H)*1049(V)
Min. Illumination	0.001 Lux @(F1.2,AGC ON), 0 Lux with IR
Shutter speed	PAL: 1 / 50 s to 1 / 50,000 s NTSC: 1 / 60 s to 1 / 50,000 s
Lens	2.8-12mm @ F1.4 Angle of view: 78° - 28°
Lens Mount	φ14
Angle Adjustment	Pan: 0 - 355°, Tilt: 0 - 80°, Rotation: ± 90°
Day & Night	ICR
Synchronization	Internal synchronization
Video Frame Rate	720p@50fps / 720p@60fps
HD Video Output	1 Analog HD output
CVBS Output	1Vp-p Composite Output(75Ω / BNC)
S / N Ratio	More than 62dB
<b>Menu</b>	
Automatic Exposure	Globe AE / DWDR
AGC	Low / Middle / High / Off
Slow Shutter	Support
White Balance	Auto / Manual
D / N Mode	Color / BW / SMART IR
3D DNR	Low / Middle / High / Off
Motion Detection	Support, maximum 4 zones
Privacy Mask	On / Off, maximum 8 zones
UTC Function	Support
Language	English / Chinese
Function	Digital Wide Dynamic Range, 3D Digital Noise Reduction, Sharpness, Brightness, Digital Zoom, Mirror
<b>General</b>	
Working Temperature / Humidity	-20 °C - 60 °C (-4 °F - 140 °F) Humidity 90% or less (non-condensing)
Power Supply	12 VDC ; -A: 12 VDC, 24 VAC
Power Consumption	12 VDC: Max. 3.5W ; 24 VAC: Max. 5W
Weather Proof Ratings	IP66
IR Range	Up to 40m
Impact Protection	IEC60068-2-75 test, Eh, 20J; EN50102, up to IK10.
Communication	Up the coax(need UTC controller) Protocol: Pelco-C(Coaxitron)
Dimensions	Φ 145.3 × 124.2 mm (Φ 5.72" × 4.89")
Weight	880 g (1.95 lb)