



Superior Engineering Design & Sensational Image Quality

AM-W5465-VMR1

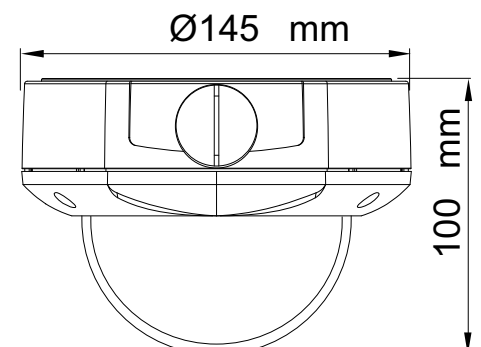
3 Axis DNR IR Varifocal Vandal Dome Camera

Features :

- 1/3" Sony Super HAD II High Sensitivity Color IS
- High Resolution 540TVLine
- True & Soft Day/Night for all 24/7 Surveillance mode
- High Intensity 18IR LED Night Vision up to 15 to 18M
- Super Low Illumination 0.3Lux @ Color & 0.002Lux @ Sens-up
- Support Wide range of Sens-Up 2x to 128x
- Varifocal 2.8 to 10mm Auto Iris Lens With IR Enabled
- Super Effective Auto Tracing White Balance
- programmable Shutter & Exposure Mode Auto, Anti Flicker, Manual
- Digital Noise Reduction to Save the HDD Storage
- Extra Video Connector for LCD Monitor
- OSD Menu Control for easy & user friendly Customer Ease
- Motion Detection, Privacy Masking, Image Mirror, Camera ID
- Support 12VDC/24VAC Power
- 3 Axis Vandal Resistant Aluminum & Poly-Carbonated Dome Enclosure
- Support IP66 Protection Grade for Direct Outdoor Installation with Heater Function(Heater Optional)



Dimension :



Specifications :

Model	AM-W5465P-VMR1	AM-W5465N-VMR1
Signal System	PAL	NTSC
CCD Type	1/3" Super HAD II High Sensitivity IS	
Effective Pixels	752(H) x 582(V)	768(H) x 494(V)
Scanning Frequency	H : 15.625 KHz V : 50 Hz	H : 15.734 KHz V : 60 Hz
Horizontal TVLine Resolution	540 TVL at color	
Day/Night	On / Auto	
Digital Noise Reduction	OFF / LOW / MIDDLE / HIGH	
Sens-Up	AUTO / OFF/manual (Selectable x2 ~ x128)	
Lux Level(illumination)	0.3Lux at @ Color , 0.002Lux@sens-up, 0 Lux @ IR Led ON	
IR LED	18pcs 0.5mm	
IR Wave Length	850~880nm Infrared	
IR Distance	up to 15 ~ 18Meter	
Gamma	Adjustable	
Gain Control(AGC)	OFF / LOW / MIDDLE / HIGH	
White Balance	ATW / AWC / MANUAL	
Light Compensation	BLC (Off/ Low / Middle / High)	
Lens	2.8 to 10MM DC Auto IRIS Varifocal with ICR	
Color Rolling Control	Yes	
Mirror Control	On/Off	
Camera ID Name	On/Off	
Privacy Masking	Up to 4 Adjustable Zones	
OSD Menu Control	Yes	
Motion Detection	ON / OFF Adjustable 4 Zone	
Image Control	Brightness / Sharpness	

Specifications :

S/N Ratio	50dB @ AGC Off
Shutter Speed Control	ESC(1/50s, 1/60s-1/120,000s) / Manual / FLK
Synchronous System	Internal, Line Lock Selectable & Adjustable 0 to 359(Dot kuvano) @24VAC
Video output	1.0Vp-p,75Ω, BNC
Power Supply	DC 12v ± 10%, DC
Power Consumption	<450mA @ 12VDC, 410mA @ 24VAC
IP Protection	IP 66
Operating Temperature	-10°C ~ + 50°C
Operating Humidity	30% ~ 90% RH
Dimensions(WxDxH)	145 mm (W) x 145 mm (D) X 100 mm (H)
Weight (g)	390 g
Enclosure	3 Axis Bracket, Aluminum & Poly-Carbonated with Vandal Resistant

* Product specifications and appearance may be changed without prior notice due to improvements.



Scan with your
Smart phone for
more information

AVTRON

<http://www.asi.ind.in>